



All-new

SELTOS

**NO MATTER
WHAT COMES NEXT**



The Power to Surprise

BOLD DESIGN THAT CATCHES EVERY EYE

THE STRONG, SILENT TYPE THAT CAN ALSO ROAR

Athletic contours make Seltos look like it's ready to pounce. Refined details hint at a calm intelligence. The styling conveys strength and composure that come to life on the road.

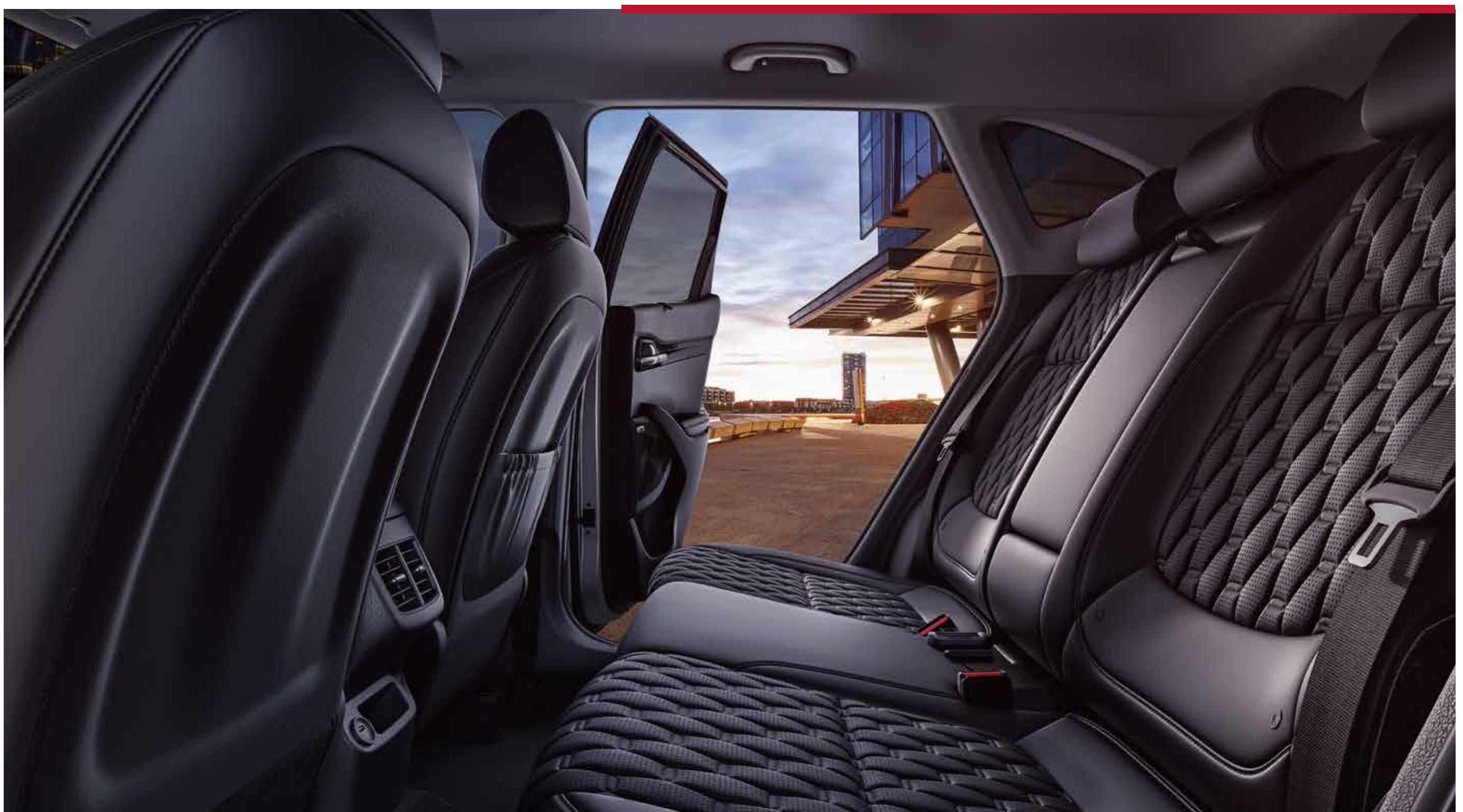


ELEGANT & COMFORTABLE FUNCTIONALITY



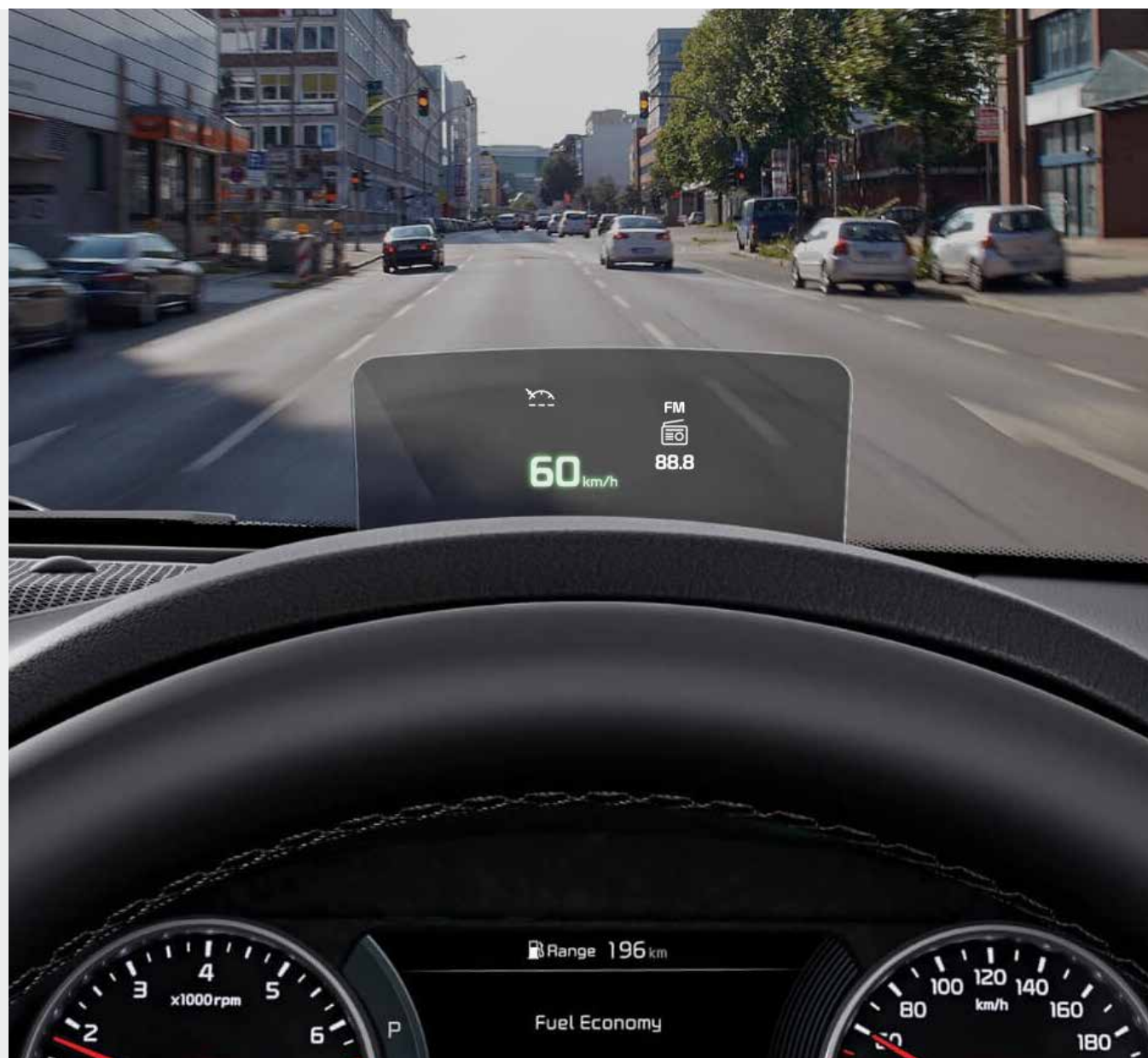
FACE YOUR
NEXT ADVENTURE WITH
RELAXED REFINEMENT

The spacious and welcoming interior combines a simple, intelligent driver interface with firm yet comfortable seating and tasteful appointments for everyone inside. A well-balanced suspension delivers a smooth ride. The decor is sophisticated, but it can also be livened up with a variety of bold color treatments.



THE WORLD LOOKS BETTER FROM THE INSIDE

To minimize driver eye movement, displays are positioned at only slight angles from one another, and from the road ahead. But it's not just about the driver. This interior is designed to entertain everyone inside in true comfort.



1_Head-up display (HUD)**

The head-up display projects an image equivalent to an 8" screen onto the windshield, letting you monitor speed without looking away from the road.



2_8" touchscreen display

The wide, customizable 8" TFT LCD high-resolution display presents audio data, rear view monitor, and parking guidance, all at a glance.



3_Smartphone wireless charger**

Charge a compatible mobile phone wirelessly on the pad in front of the gear selector.



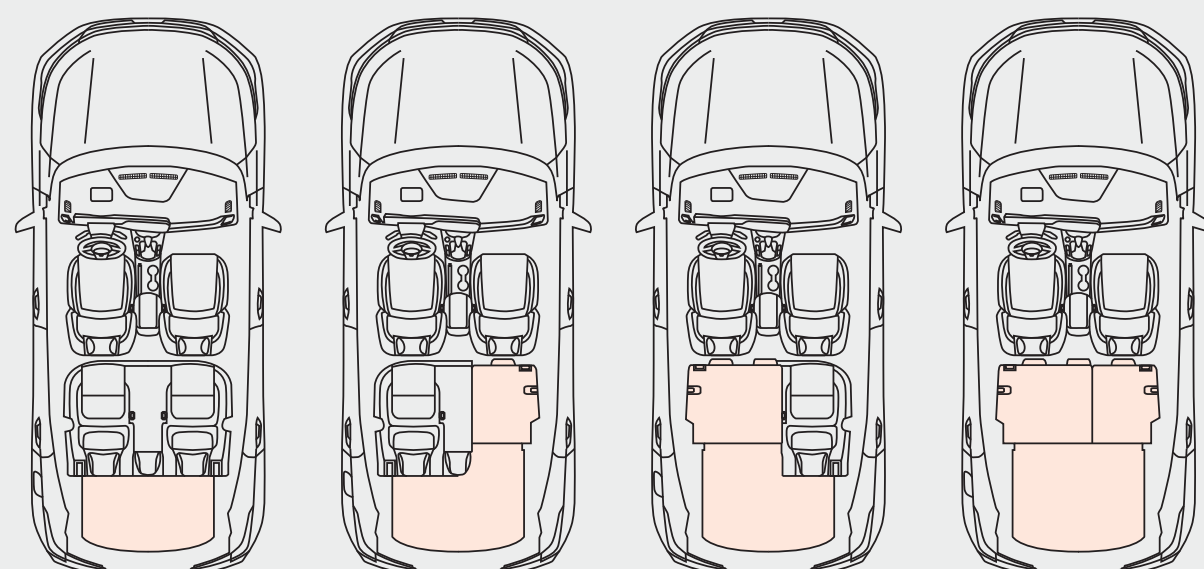
4_7-inch TFT LCD supervision cluster**

The supervision cluster helps you stay focused and informed, with data like remaining distance to empty and fuel consumption, and outside temperature.



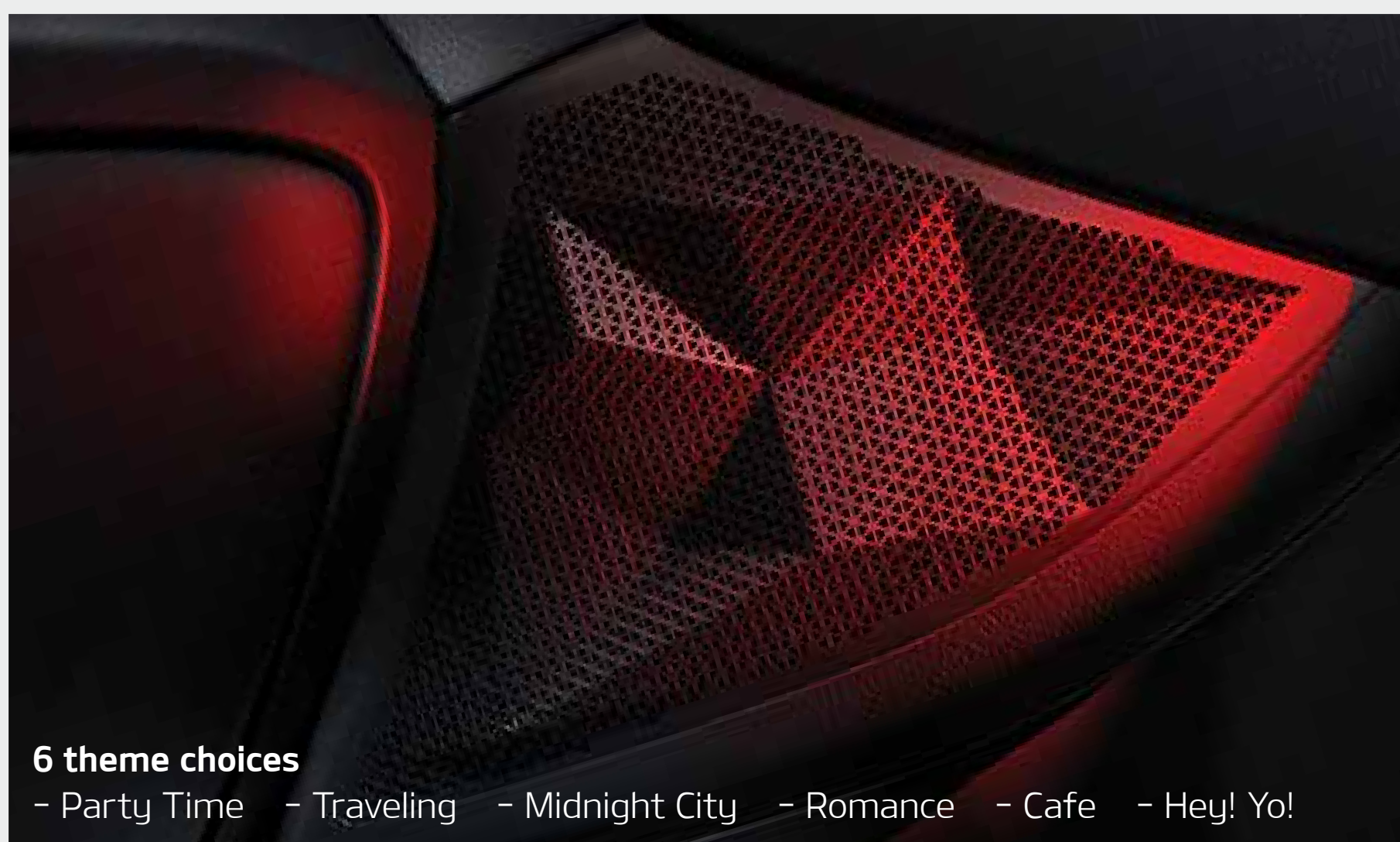
5_433-liter luggage capacity

The floorboard of the roomy cargo space can be set higher to conceal items, or lower to offer more cargo volume. A low-cut opening makes loading easy. The rear seat backs split 60/40 and fold forward, expanding the cargo area into the cabin.



6_60:40 split-folding rear seats

The rear seatbacks split 60:40 and fold flat to accommodate a variety of passenger and cargo combinations. When the seatbacks are folded flat, large, bulky items can be transported without obstructing the view out the rear window.



6 theme choices

- Party Time - Traveling - Midnight City - Romance - Cafe - Hey! Yo!

7_Sound mood lighting system

Door and dashboard surfaces glow with soothing colors that change at regular intervals, or pulsate in sync with your music.



STYLISH, SAFE, AND SOPHISTICATED TECHNOLOGY

Sometimes the smartest solution is the simplest one. The Seltos offers a range of technologies to help make driving safer, and with peace of mind. They come into play when you're maneuvering into a tight parking space, or backing out into the street. The technology in the Seltos is dedicated to keeping you focused and well informed, while it can even step in to help keep you out of danger.



1_Parking Distance Warning (PDW)**

To help you park safely and confidently, PDW employs ultrasonic sensors mounted on the bumpers and uses audible alerts, and visual warnings on the supervision cluster, to warn you of any vehicles or obstacles ahead of you or behind you that may be getting too close.

2_Stronger through added AHSS

From head to toe, the Seltos makes extensive use of advanced high strength steel (AHSS) throughout its well-reinforced chassis design. The result is exemplary control, dynamic performance, and enhanced occupant protection.



3_6 airbag system

To help protect occupants and potentially reduce injuries in the event of a collision, the Seltos offers driver and front passenger airbags, two front side airbags, and available side-curtain airbags running the length of the interior on each side.



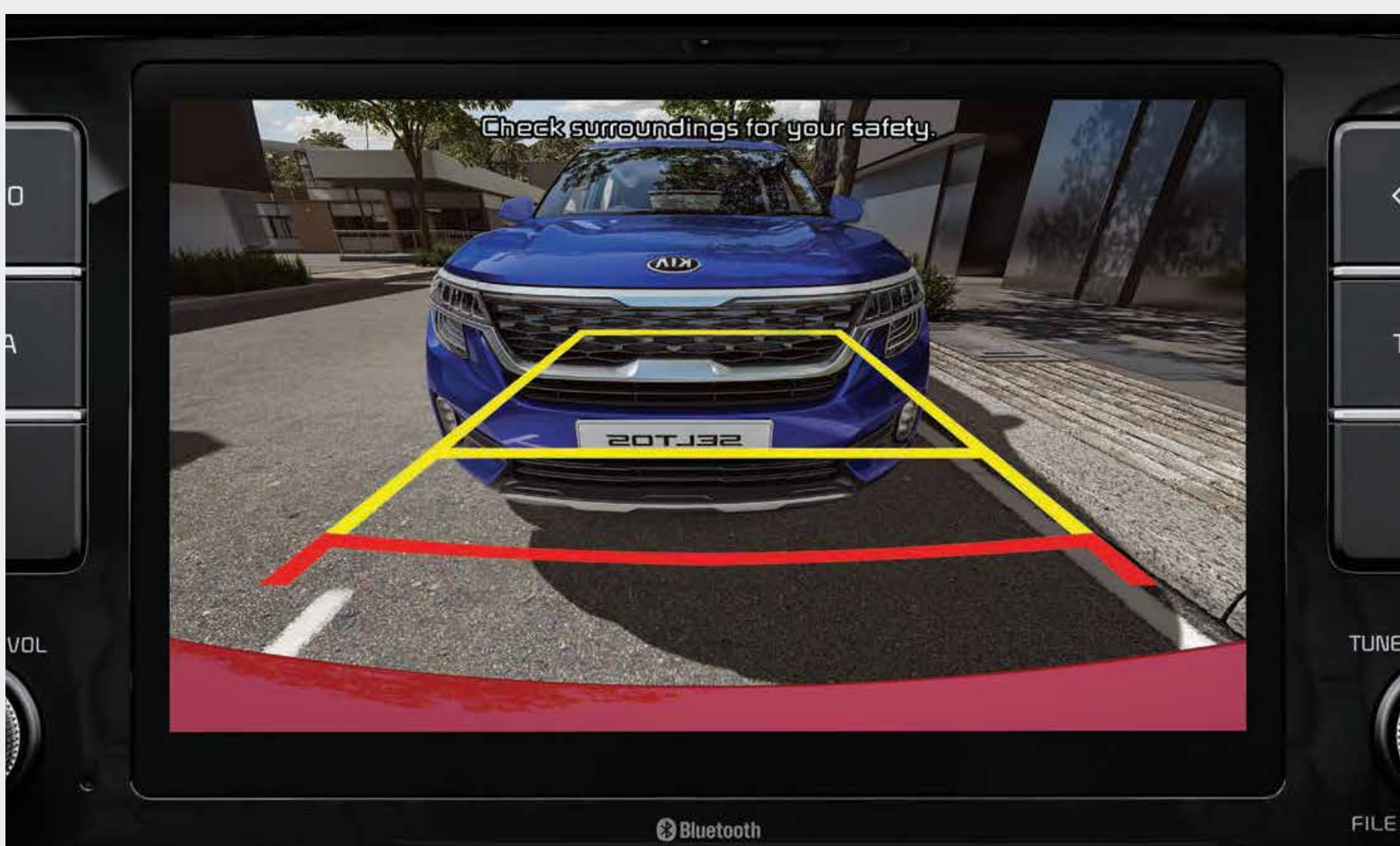
4_Drive Traction Selector

Drive Traction adjusts engine torque and braking to help you start off with confidence on a low-traction surface. Use button to select multiple modes



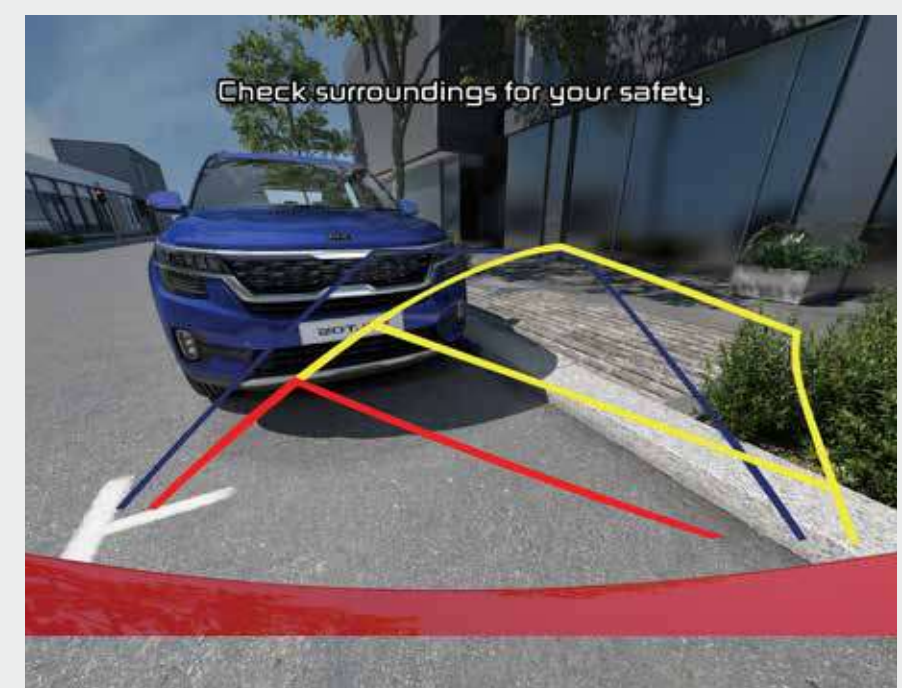
5_Cruise control

Cruise control lets you choose a preferred speed to give your foot a rest on the open road. Lightly tapping the brakes, or pressing the cancel button, will restore Seltos to manual acceleration mode.



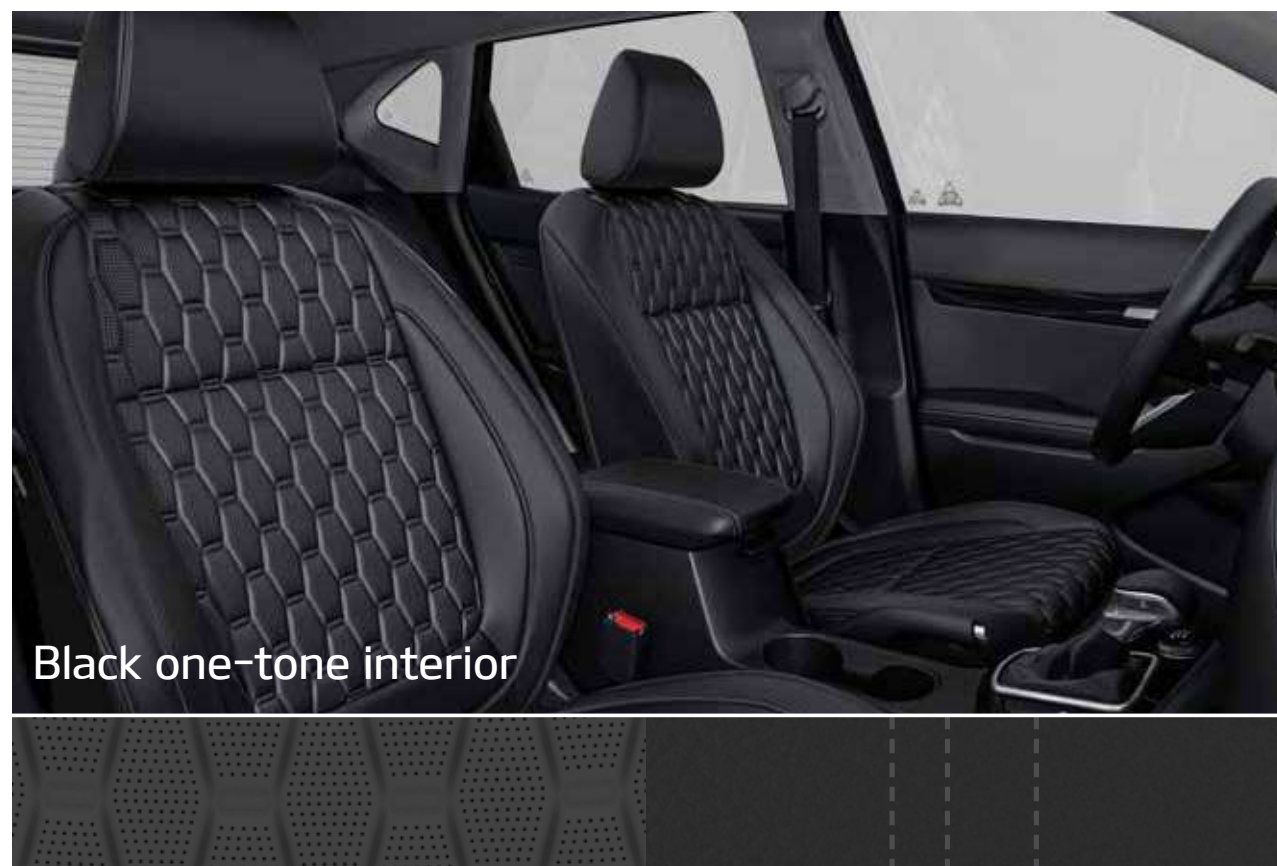
6_Rear View Monitor (RVM)

Rear View Monitor with Parking Guidance gives you a live view of what's behind you. Lines superimposed on the image help you know how much space you have.



Interior Colors

EX



GT-Line



Wheels

EX



17-inch 215/60R17
Alloy wheel (A type)

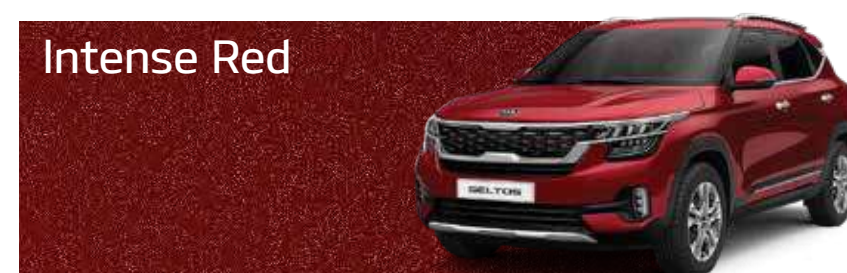
GT-Line



17-inch 215/60R17
Alloy wheel (B type)

Exterior Colors

EX



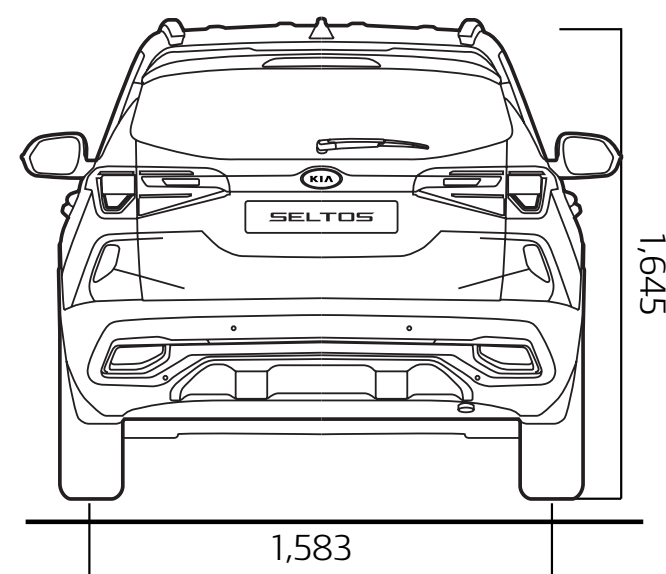
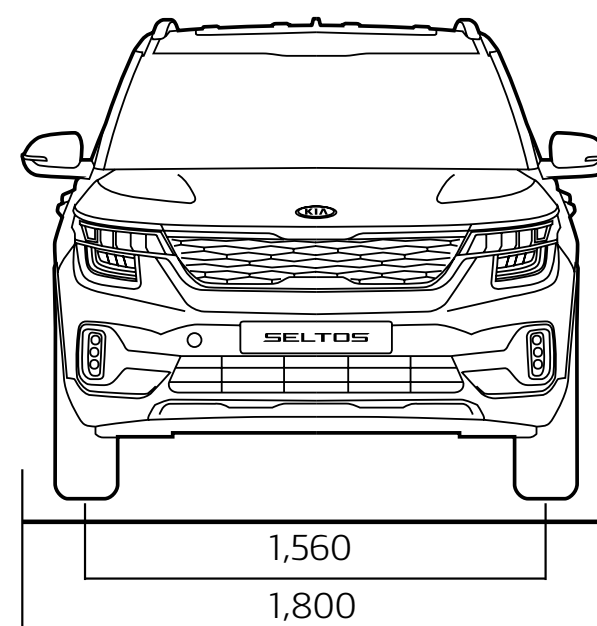
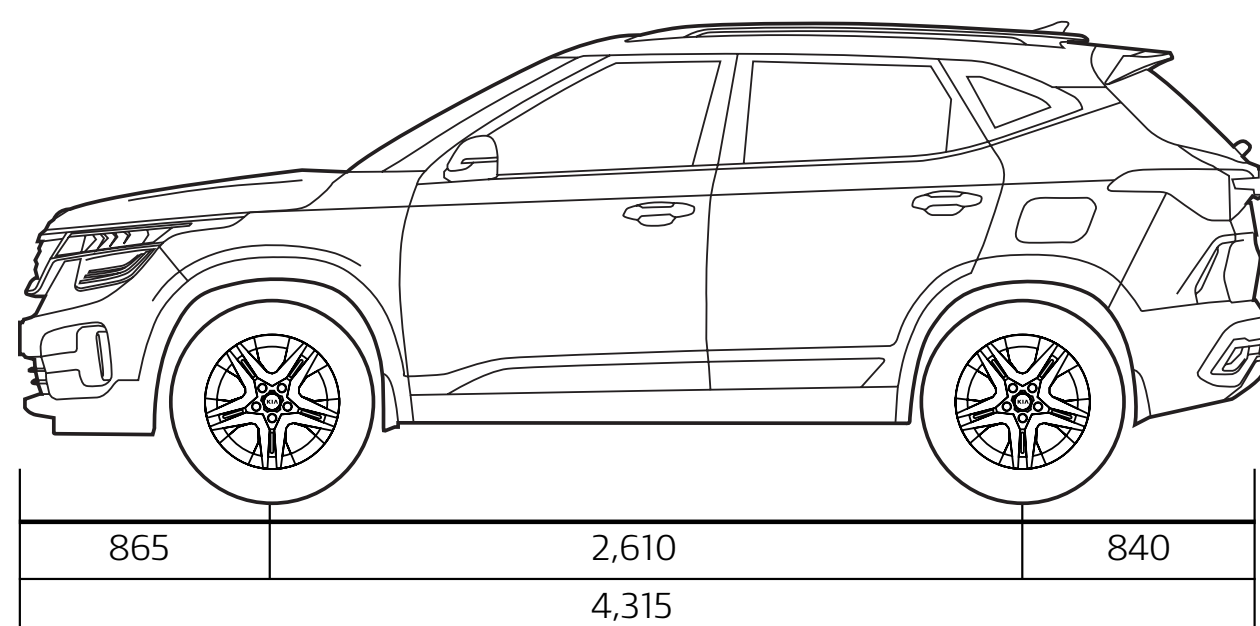
GT-Line



Dimensions (mm)

Overall length	4,315
Overall width	1,800
Overall height	1,645
Wheelbase	2,610
Wheel tread (front/rear)	1,560/1,583

Overhang (front/rear)	865/840
Leg room (front/rear)	1,051/973
Head room (front/rear)	1,015/980
Shoulder room (front/rear)	1,409/1,395
Min. ground clearance	147



SPECIFICATIONS

	EX	GT-LINE
ENGINE		
Type	Gamma 1.6L MPI	Gamma 1.6L MPI
Displacement (cc)	1,591 cc	1,591 cc
Bore x stroke (mm)	77.0 mm X 85.44 mm	77.0 mm X 85.44 mm
Compression ratio	10.5:1	10.5:1
Horsepower	123 PS @ 6,300 rpm	123 PS @ 6,300 rpm
Torque	150.7 Nm @ 4,850rpm	150.7 Nm @ 4,850rpm
Valve System	DOHC D-CVVT 16V	DOHC D-CVVT 16V
Fuel System	MPI (Multi Point Injection)	MPI (Multi Point Injection)
Rec. Fuel	Petrol	Petrol
DRIVETRAIN		
Transmission Gear Ratios	6-speed automatic transmission	6-speed automatic transmission
First	4.400	4.400
Second	2.726	2.726
Third	1.834	1.834
Fourth	1.392	1.392
Fifth	1.000	1.000
Sixth	0.774	0.774
Reverse	3.440	3.440
Final gear ratio	3.957	3.957
Layout/drive	Front Engine / FWD	Front Engine / FWD
CHASSIS / SUSPENSION		
Front suspension	MacPherson	MacPherson
Rear suspension	Couple Torsion Beam Axle	Couple Torsion Beam Axle
Shock absorber	Gas	Gas
Construction	Steel Unibody	Steel Unibody
Seating capacity	5	5
Body Type	SUV	SUV
STEERING		
Type / Power source	Rack and Pinion / C-MDPS	Rack and Pinion / C-MDPS
Turning circle, curb-to-curb : meter	5.3	5.3
BRAKES		
Brake Type front/rear	4-Wheel Disc (Vented / Solid)	4-Wheel Disc (Vented / Solid)
Size front/rear	16" / 14"	16" / 14"
Parking brake type	Hand Type	Hand Type
WHEELS / TYRES		
Wheel size, front (in.)	7.0J x 17	7.0J x 17
Wheel size, rear (in.)	7.0J x 17	7.0J x 17
Tire size, front	215/60R17	215/60R17
Tire size, rear	215/60R17	215/60R17
Spare Tire	215/60R17	215/60R17
FUEL CONSUMPTION		
Automatic transmission, urban/extra-urban/combined (ℓ/100km)	8.7 / 5.6 / 6.7	8.7 / 5.6 / 6.7

FEATURES

	EX	GT-LINE
EXTERIOR		
Halogen Projection headlights	•	-
Full LED headlights	-	•
Manual Headlamps Levelling	•	•
Auto Light Control	•	•
LED Daytime Running Light (DRL)	•	•
Halogen Front Fog Lamps	•	-
LED Front Fog Lamps	-	•
LED High Mounted Stop Lamp	•	•
LED Rear Combination Lights	-	•
Solar Glass (windshield, front, rear)	•	•
Backlite heated	•	•
Radiator Grille - Black Paint	•	-
Radiator Grille - Glossy Black with Satin Chrome & Colour Accent	-	•
Roof Rack	•	•
INTERIOR		
Tilt and telescopic steering column	•	•
Leather-wrapped steering wheel	•	•
Leather-wrapped gear shift knob	•	•
3-Spokes D-shape steering wheel	•	•
3.5" colour TFT LCD supervision meter cluster with integrated trip computer	•	-
7" colour TFT LCD supervision meter cluster with integrated trip computer	-	•
Electric chromic rear-view mirror	•	•
Overhead console with sunglass holder	•	•
Passenger sun visor with vanity mirror	•	•
Front center console with storage box	•	•
Front power outlets with USB chargers	•	•
Glossy black garnish center console	•	•
Rubber pedals	•	•
Metal pedals	-	-
Leather seat trim	•	•
8-way power adjustable driver's seat	-	•
Manual adjustable front driver's seat (double recline, sliding, height adjuster)	•	-
Manual adjustable front passenger's seat (double recline, sliding, height adjuster)	•	•
Front seatback pocket (passenger's side)	•	•
60/40 split-folding rear seats	•	•
Rear center armrest with cup holders	•	•
CONVENIENCE		
Manual Temperature Control with rear vents	•	-
Single-zone automatic temperature control with rear vents	-	•
Auto windows defogger	-	•
Cabin air filter	•	•
Touchscreen audio display system	•	•
AM/FM/MP3/radio audio system	•	•
Apple Carplay™	•	•
Android Auto™	•	•
Bluetooth® wireless technology	•	•
Wireless Qi Smartphone Chargers	-	•
Steering wheel-mounted audio controls	•	•
Power windows with auto-up/down and safety (driver's only)	•	•
Power door locks with remote keyless entry system	•	•
Push-start button with Smart Key	•	•
SAFETY & SECURITY		
Dual Front airbags	•	•
Dual Front Seat-mounted side airbags	•	•
Full-length Curtain airbags	•	•
Front and rear 3-point seat belts	•	•
Power window lockout protection	•	•
Vehicle Stability Management (VSM)	•	•
Electronic Stability Control (ESC)	•	•
Anti-Lock Brakes System (ABS)	•	•
Hill-start Assist Control (HAC)	•	•
Traction Control System (TCS)	•	•
ISOFIX	•	•
Rear child-safety door locks	•	•
Immobilizer	•	•
DRIVER ASSISTANCE		
Driver Mode Select (DMS) - Normal, Eco, Sport	•	•
Traction Mode Select (TMS) - Snow, Mud, Sand	•	•
Parking Distance Warning - Forward (PDW-F)	-	•
Parking Distance Warning - Reverse (PDW-R)	•	•
Rear View Camera with Dynamic Guideline	•	•
Head Up Display (HUD)	-	•
Cruise Control	•	•

Disclaimer: All information and illustrations are based on data available at the time of publication and are subject to change without notice. NAZA KIA MALAYSIA reserves the right to discontinue or change the models, features, specifications, options, designs and prices of the products. Kindly contact NAZA KIA MALAYSIA Sales Outlets for more information.

Follow us :



NAZA KIA MALAYSIA
(201001007783)

KIA CARELINE : 1-800-888-KIA (542)

WWW.KIA.COM