


GWM

SEE YOU OUT THERE



GWM TANK 300

INTELLIGENT LUXURY OFF-ROAD SUV



The GWM TANK 300 positions itself as an intelligent, luxury off-road SUV that is all set to go beyond the ordinary. Equipped with impressive technologies and smart systems, this rugged, hardcore off-road SUV is designed for daring 4x4 enthusiasts who enjoy discovering new places and taking on challenges. It is the embodiment of harmony between toughness and comfort, where two contrasting ideas can co-exist. The GWM TANK 300 makes a bold statement that opulence should not be compromised for off-road driving.

CONQUER ALL
TERRAINS

Exceptional Off-Road Experience



The state-of-the-art technologies have engineered the GWM TANK 300's mighty capabilities and performance on the road. The 2L Petrol Turbocharged Engine and the 8-Speed AT Transmission enable this intelligent off-roader to function steadily around winding mountain passes or slippery rainforest roads.

2.0L
TURBO 4-CYLINDER
PETROL ENGINE

220 PS
@ 5500RPM

380 Nm
TORQUE



8 SPEED
AUTOMATIC
TRANSMISSION



LADDER FRAME CONSTRUCTION AND PROFESSIONAL OFF-ROAD CHASSIS

The off-road SUV's longitudinal beam can reach 160 x 130 mm with a torsional rigidity of 282.8 kNm/rad, which establishes the vehicle's torsion resistance and swaying stability.

FRONT AXLE
DIFFERENTIAL
LOCK

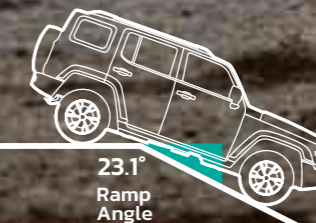
REAR AXLE
DIFFERENTIAL
LOCK



Departure
Angle



34°



23.1°
Ramp
Angle



33°

Approach
Angle

Unparalleled Driving Experience



TANK TURN ASSIST



CRAWL CONTROL (CCO)



TRANSPARENT CHASSIS FUNCTION



ALL-TERRAIN PROGRESS CONTROL (ATPC) SYSTEM

With its heavy-duty chassis for optimum stability and agility, this high-performing off-road SUV is built to handle even the most difficult terrain. The all-terrain progress control system of the GWM TANK 300 makes it an expert at traversing across off-road conditions and facing arduous scenarios.

9 DRIVING MODES

STANDARD (2H), STANDARD (4H), SNOW MODE (4H), 4L MODE (NORMAL, MUD/SAND, POTHOLE, MOUNTAIN, ROCK), EXPERT MODE

700_{mm}
MAX. WADING
DEPTH



STYLISH LED HEADLIGHTS



18" ALUMINIUM ALLOY WHEELS



CONVEX BUMPER



FUNCTIONAL REAR-MOUNTED TYRE



Rugged Exterior that Stands Out

Part luxury vehicle. Part 4x4. All TANK.

The GWM TANK 300's robust appearance, solid frame, and functional designs make it an impressive trendy statement that stands out in the crowd. This off-road SUV takes you to an unforgettable adventure ahead and manoeuvres across challenging regions like a champion.

Discover an Inner World of Pure Luxury

Beneath the GWM TANK 300's tough exterior is a world of practicality and sophistication. Head into the cabin to relish in a world of pure luxury with deluxe full grain faux Nappa leather accented seats. It is a sanctuary of comfort, cutting-edge technology, and precise craftsmanship.



VENTILATED NAPPA LEATHER ACCENTED SEATS

Impressive Features for Utmost Comfort

The GWM TANK 300 comprises a miscellany of intelligent features that prioritise drivers' convenience and comfort on the road. Every feature is meticulously assembled to shape an unparalleled driving experience that sets it apart from other off-road SUVs on the market that solely focus on practicality.



100% FLAT FOLDING REAR SEATS



8-WAY POWER DRIVER SEAT ADJUSTMENT AND MASSAGE FUNCTION



DOUBLE-LAYER ACOUSTIC GLASS TO ENHANCE NVH LEVELS



64-COLOUR AMBIENT MOOD LIGHTING



What makes the GWM TANK 300 resilient is its versatility in withstanding even the most arduous challenges and conditions. It can be easily modified with the diverse range of accessories to boost every off-road adventure and daily commute and enhance the GWM TANK 300's aesthetics.



Intelligence Assistants at Your Command



All infotainment you require for pure driving enjoyment is included in the GWM TANK 300. You can access on-demand entertainment and be in control of every vehicle's status and settings. Driving is no longer a tedious task; it is a relaxing activity that ensures your peace of mind.



WIRELESS CHARGING



9 SPEAKERS INFINITY SOUND SYSTEM



ANDROID AUTO AND APPLE CARPLAY



DUAL 12.3" INSTRUMENT AND INFOTAINMENT SCREEN

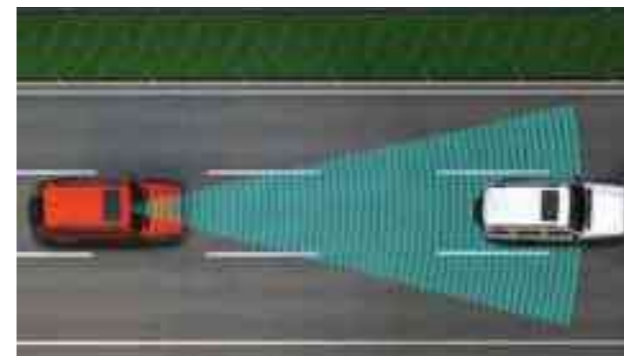


TYRE PRESSURE MONITORING SYSTEM



Protective Suite for Ultimate Assurance

With its wide range of clever features, the GWM TANK 300 is sure to protect every driver and passenger on the road. Thanks to the L2 ADAS Driving Assistance, Active Safety Systems, and a 360-degree camera, drivers may operate the off-road SUV in a confident and calm state of mind.



ADAPTIVE CRUISE CONTROL (ACC)

Accelerates or reduce speed and maintains a certain distance from the vehicle in front.



INTELLIGENT CRUISE ASSISTANCE (ICA)

Identifies lane lines and maintain the off-roader to stay in the middle of the lane.



LANE CENTRAL KEEPING (LCK)

Assists the vehicle in maintaining the centre of the lane without deviating to the next lanes.



LANE KEEP ASSIST (LKA)

Brings the vehicle back into the lane if the driver deviates unintentionally.



TRAFFIC JAM ASSIST (TJA)

Stops automatically in still traffic and starts up again when the traffic moves again.



TRAFFIC SIGN RECOGNITION (TSR)

Identifies and displays any nearby road traffic signage.



ELECTRONIC STABILITY PROGRAMME (ESP)

Prevents any vehicle skidding motion to avoid dangerous driving scenarios.



HIGH BEAM ASSIST (HMA)

Automatically switches to low beam upon vehicle detection ahead.

Safety on Every Journey



1,500MPa ULTRA-HIGH STRENGTH BODY



5-STAR ANCAP SAFETY RATING

The Paramount of Safety

Upon collision, the GWM TANK 300's intelligent function automatically unlocks all doors and cuts-off fuel for maximum safety.



AUTOMATIC COLLISION UNLOCKING

AUTOMATIC COLLISION FUEL CUT-OFF FUNCTION

Specifications

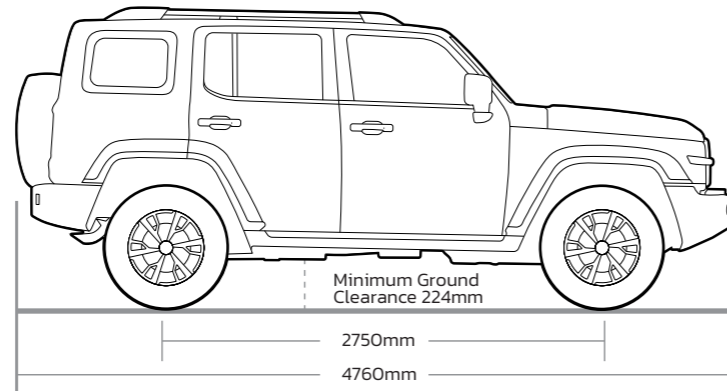
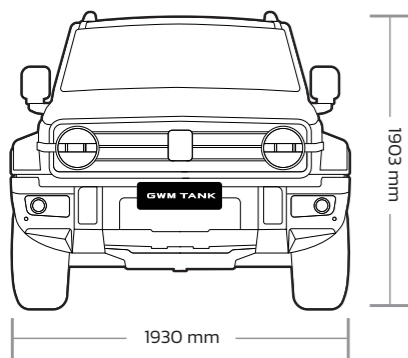
Colours



Dimensions

Length. 4760mm
 Height. 1903mm
 Wheelbase. 2750mm
 Width. 1930mm
 Ramp Angle. 23.1°
 Max. Gradability. 70%

Interior Colour



| DIMENSIONS | |
|-------------------------------|--------------|
| Length (mm) | 4760 |
| Width (mm) | 1930 |
| Height (mm) | 1903 |
| Wheelbase (mm) | 2750 |
| Front / Rear Wheel Track (mm) | 1608 / 1608 |
| Kerb Weight (kg) | 2155 |
| Min Ground Clearance (mm) | 224 |
| Fuel Tank Capacity (L) | 75 |
| Approach / Departure Angle | 33° / 34° |
| Body Structure | Ladder Frame |

| ENGINE | |
|----------------------|--------------------------------------|
| Engine Type | 2.0T Petrol |
| Displacement (cm³) | 1967cc |
| Fuel Supply System | Direct Fuel Injection |
| Max Power (PS@rpm) | 220 @ 5500 |
| Max Torque (Nm@rpm) | 380 @ 1800-3600 |
| Maximum Speed (km/h) | 175 |
| Transmission | 8-Speed Automatic Transmission (8AT) |
| Drive System | 4WD |

| STEERING SYSTEM | |
|------------------------------------------|-------------------------|
| Electric Power Steering (EPS) | • |
| Steering Wheel Adjustment (4-Directions) | • |
| Speed Sensing Steering | • |
| Steering Mode Adjustment | Sport / Comfort / Light |

| SUSPENSION SYSTEM | |
|-------------------|---------------------------|
| Front | Double Wishbone |
| Rear | Multilink non-independent |

| BRAKE SYSTEM | |
|---------------|---------------------------------------------|
| Front | Ventilated Disc |
| Rear | Ventilated Disc |
| Parking Brake | Electric Parking Brake (EPB) with Auto Hold |

| TYRES & WHEELS | |
|------------------------|---------------------------|
| Alloy Wheels | 18" |
| Tyre & Spare Tyre Size | 265 / 60R18 |
| Tyre | Michelin PRIMACY SUV (HT) |

| OFF-ROAD | |
|--------------------------------------------------------------------------------------------------------------------------------------------------------------|---|
| All-terrain Progress Control (ATPC) System Standard (2H), Standard (4H), Snow Mode (4H), 4L Mode (Normal, Mud/Sand, Pothole, Mountain, Rock) and Expert Mode | • |
| Crawl Control (CCO) | • |
| TANK Turn Assist | • |
| Transparent Chassis Function | • |
| Electronic Control Four-wheel Drive | • |
| Front Axle Differential Lock (Electric Control) | • |
| Rear Axle Differential Lock (Electric Control) | • |
| Chassis Guard Board (3-piece) | • |
| Off-road Dining Table | • |

| SAFETY & SECURITY | |
|------------------------------------------------------------|---|
| Driver & Front Passenger SRS Airbags | • |
| Front Side SRS Airbags | • |
| Curtain SRS Airbags | • |
| Driver & Front Passenger Seatbelt Reminder | • |
| Front Seatbelt Pre-tensioners With Load Limiters | • |
| Rear Seatbelt With Load Limiters | • |
| ISOFIX Child Restraint Anchorage Points (Outer Rear Seats) | • |
| Child-proof Rear Door Locks | • |
| Electronic Stability Programme (ESP) | • |
| Brake Assist | • |
| Traction Control System (TCS) | • |
| Roll Movement Intervention (RMI) | • |
| Automatic Collision Unlocking | • |
| Automatic Collision Fuel Cut-off Function | • |
| Hill Start Assist (HAC) | • |
| Hill Descent Control (HDC) | • |
| Secondary Collision Mitigation (SCM) | • |
| Front Collision Warning (FCW) | • |
| Auto Emergency Brake (AEB) | • |
| Lane Departure Warning (LDW) | • |
| Lane Keep Assist (LKA) | • |
| Lane Central Keeping (LCK) | • |
| Traffic Sign Recognition (TSR) | • |
| Speed Assist System (SAS) | • |
| Adaptive Cruise Control (ACC) | • |
| Traffic Jam Assistance (TJA) | • |
| Intelligent Cruise Assist (ICA) | • |
| High Beam Assist (HMA) | • |
| Emergency Lane Keep (ELK) | • |
| Cross Assist JA (AEB-Cross, AEB-Turning) | • |
| Wisdom Dodge System | • |
| Door Open Warning (DOW) | • |
| Rear Collision Warning (RCW) | • |
| Blind Spot Detection (BSD) | • |
| Lane Change Assist (LCA) | • |
| Rear Cross Traffic Alert (With Brake) | • |
| 360° Surrounding Camera | • |
| Type Pressure Monitor System (TPMS) | • |
| Front Parking Sensors | 4 |
| Rear Parking Sensors | 4 |
| Speed Warning Adjustment | • |
| Keyless Entry & One Button Start | • |
| 2 Smart Keys | • |
| Engine Immobiliser | • |
| Remote Central Locking | • |
| Automatic Locking Return Function | • |
| Speed Sensing Central Locking (15km/h) | • |
| Door Ajar Warning System | • |

| EXTERIOR | |
|-------------------------------------|---|
| Manual Tailgate | • |
| Side Step | • |
| Automatic Windscreen Wipers | • |
| Rear Windscreen Wiper | • |
| Roof Rails | • |
| Sunroof | • |
| Shark Fin Aerial | • |
| Trailer Power Outlet | • |
| Front / Rear Trailer Hooks (2 each) | • |

| INTERIOR | |
|----------------------------------------|---|
| Sunglass Holder | • |
| Microfibre Faux Leather Steering Wheel | • |
| Paddle Shifter | • |
| Wireless Charging | • |
| Front 12V Power | • |
| Luggage Cabin 12V Power Outlet | • |
| Luggage 220V Power Outlet | • |
| Luggage Net Hooks | • |

| SEATS | |
|---------------------------------------------------|---|
| Faux Nappa Leather Accented Seat | • |
| Front Ventilation Seat | • |
| Driver Seat Massage | • |
| 8-Way Power Driver Seat Adjustment | • |
| 4-Way Power Driver Seat Lumbar Support Adjustment | • |
| 4-Way Power Front Passenger Seat Adjustment | • |
| Rear Seatback Adjustment | • |
| 60/40 Split Rear Seat | • |
| Folding Rear Seat Centre Armrest | • |
| Rear Seat Backrest Two-level Adjustment | • |

| ENTERTAINMENT | |
|----------------------------------------------------|---|
| 12.3" Full Colour Instrument Cluster | • |
| 12.3" Full Colour Touch Screen Infotainment System | • |
| Radio FM / AM | • |
| Electronic Clock | • |
| 9 Speakers Infinity | • |
| Apple CarPlay + Android Auto | • |
| Bluetooth Hands Free Link System | • |

| GLASS | |
|--------------------------------------------------------------------|---|
| Green Glass | • |
| Windshield Soundproof Glass | • |
| Front Door Soundproof Glass | • |
| Front Power Window | • |
| Rear Power Window | • |
| Driver Door Window Auto Up / Down with Safety Function | • |
| Auto Fold/Electric Adjustment Power External Mirror with Indicator | • |
| Front Sunvisor with Mirror and Lamp | • |
| Auto-dimming Rear View Mirror | • |

| LIGHTING | |
|-------------------------------------|---|
| LED Headlights | • |
| LED Taillights | • |
| Auto High Beam | • |
| Auto Low Beam | • |
| Front Fog Lights | • |
| Rear Fog Light | • |
| DRL (Daytime Running Light) | • |
| High-Mounted Stop Lamp | • |
| Turning Assist Lamp | • |
| Headlight "Follow Me Home" Function | • |
| Height Adjustment Headlights | • |
| Ambient Lighting (64 Colour) | • |
| Reading Lamp | • |
| Luggage Room Lamp | • |
| Ceiling Lamp | • |


| AIR CONDITIONING | |
|----------------------------|---|
| Automatic Air Conditioning | • |
| Air Outlet to Second Row | • |

** stands for standard configuration


GWM

For More Information:



 GWM Malaysia



 gwm.com.my



Customer Service Hotline
1800 18 2882



Email
support@gwm.com.my

Notice

The specifications, product information or images displayed herein are for illustration purposes. Some of the product and service information, illustrations and images contained herein may have been prepared for generic use and the actual products may vary from those displayed herein, owing to technical limitations.

The illustrations may show accessories, optional equipment or other features which are not part of the standard specification or service scope available in Malaysia. The company reserves the right to change all information, specifications, and grades without prior notice. For safety and efficiency in use, please refer to the manual before use. The company shall not be responsible for discrepancies or differences between the illustrations displayed in this Specification & Standard Equipment and the actual product.